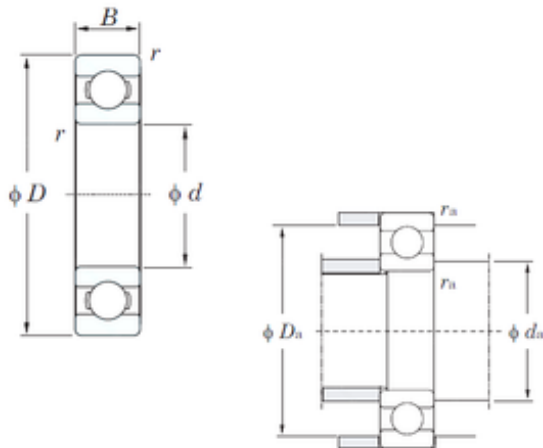




China 608 Bearing Supplier



6302 Bearing 2D drawings and 3D CAD models

SKF NSK Koyo NTN Bearing 6302

Bearing No. 6302

Size	15x42x13 mm
Bore Diameter	15 mm
Outer Diameter	42 mm
Width	13 mm
d	15 mm
D	42 mm
B	13 mm
C	13 mm
r min.	1 mm
da min.	20 mm
Da max.	37 mm
ra max.	1 mm
Weight	0,082 Kg
Basic dynamic load rating (C)	11,4 kN
Basic static load rating (C0)	5,45 kN
(Grease) Lubrication Speed	17000 r/min
(Oil) Lubrication Speed	20000 r/min
Category	Single Row Ball Bearings
Inventory	0.0
Manufacturer Name	KOYO
Minimum Buy Quantity	N/A
Weight / Kilogram	0.092
EAN	0605790071560
Product Group	B00308
Enclosure	Open
Precision Class	ABEC 1 ISO P0



China 608 Bearing Supplier

Maximum Capacity / Filling Slot	No
Rolling Element	Ball Bearing
Snap Ring	No
Internal Special Features	No
Cage Material	Steel
Internal Clearance	C0-Medium
Inch - Metric	Metric
Long Description	15MM Bore; 42MM Outside Diameter; 13MM Outer Race Diameter; Open; Ball Bearing; ABEC 1 ISO P0; No Filling Slot; No Snap Ring; No Internal Special Features
Category	Single Row Ball Bearing
UNSPSC	31171504
Harmonized Tariff Code	8482.10.50.68
Noun	Bearing
Keyword String	Ball
Manufacturer URL	http://www.koyousa.com
Manufacturer Item Number	6302
Weight / LBS	0.202
Outside Diameter	1.654 Inch 42 Millimeter
Outer Race Width	0.512 Inch 13 Millimeter
Bore	0.591 Inch 15 Millimeter
Bearing No.	6302
r(min)	1
Cr	14.3
C0r	5.45
Cu	0.460
f0	12.3
Grease lub.	17000
Oil lub.	20000



China 608 Bearing Supplier

da(min)	20
Da(max)	37
ra(max)	1
(Refer.)Mass(kg)	0.082